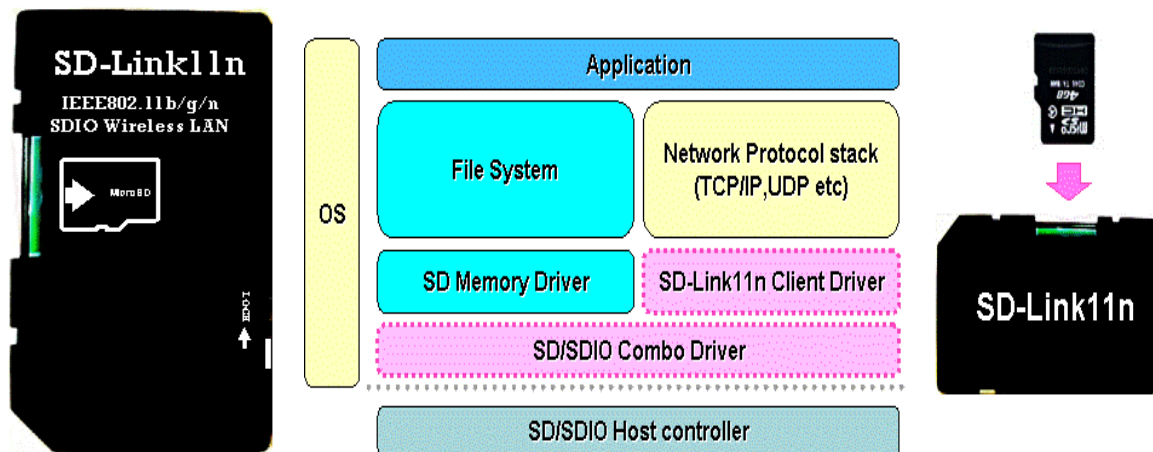


1. Main Features, Specifications and Restrictions

Main Features

SD-Link11n is a SDIO combo card which supports Wireless LAN (IEEE802.11b/g/n) and implements microSD memory card connector on the card. The host system requires only one SD slot to support both Wireless LAN and data storage with lower cost and saves product space.

External Appearance



Specifications

Please refer to d-broad's web site and check detailed specifications.

http://www.d-broad.com/sdlink11n_eg.html

Restrictions

- 1) Data Security : (1) Encryption : WPA / WPA2 including WEP, TKIP and AES are supported.
 - (2) Authentication : PSK method is supported.
 - ** 802.1X including EAP-TLS, TTLS, PEAP etc has not been supported by d-broad yet.
- 2) SD Memory : Using 2GB memory card is recommended.
 - Using SD memory cards with larger memory size than 2GB is not supported due to the restrictions of Microsoft's SD driver for WindowsMobile 6.5.

Remarks

Please always use SD-Link11n with **latest wireless LAN driver software** and **Auto Wiress LAN ON tool** which will be provided via our Distributors in North America.

2. Distribution and Technical Support

Selling and Providing first stage Technical Support for d-broad's SD-Link11n are arranged by Casio Distributors for Handheld products in North America.

Please note that d-broad does not distribute and sell directly for resellers and end-user companies.

- End of the Information -